

STABILA®



...sets standards



Wide range of functions:

- 360° horizontal line around the entire room
- 90° angle for accurate layout work
- Plumb line upwards and downwards

LAX 400 multi-line laser

The professional laser for interior construction

ACCURATE. TOUGH. RELIABLE. EASY-TO-USE.



The LAX 400: help at hand

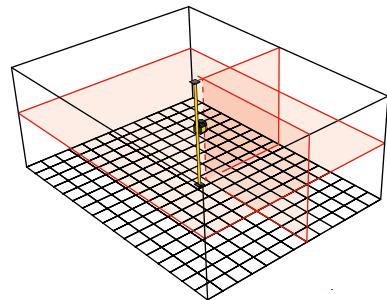
Accuracy is a prerequisite when it comes to achieving a successful outcome for any job. The LAX 400 is here to help you with this. Whether you are a drywall builder, tiler, electrician, plumber or carpenter, the multi-line laser can handle an extremely wide range of measuring tasks and helps you work more accurately and more productively – allowing you to get more done in less time. The wide range of functions that the LAX 400 has to offer includes a full 360° horizontal line, a 90° angle for precise layout work and a plumb line upwards and downwards. The narrow, clearly visible lines have a measuring distance of 20 m. The LAX 400 enables just one person to carry out a whole host of tasks quickly and, most importantly, without costly measurement errors, meaning that an investment in the LAX 400 pays off in no time at all!





What the LAX 400 multi-line laser can do:

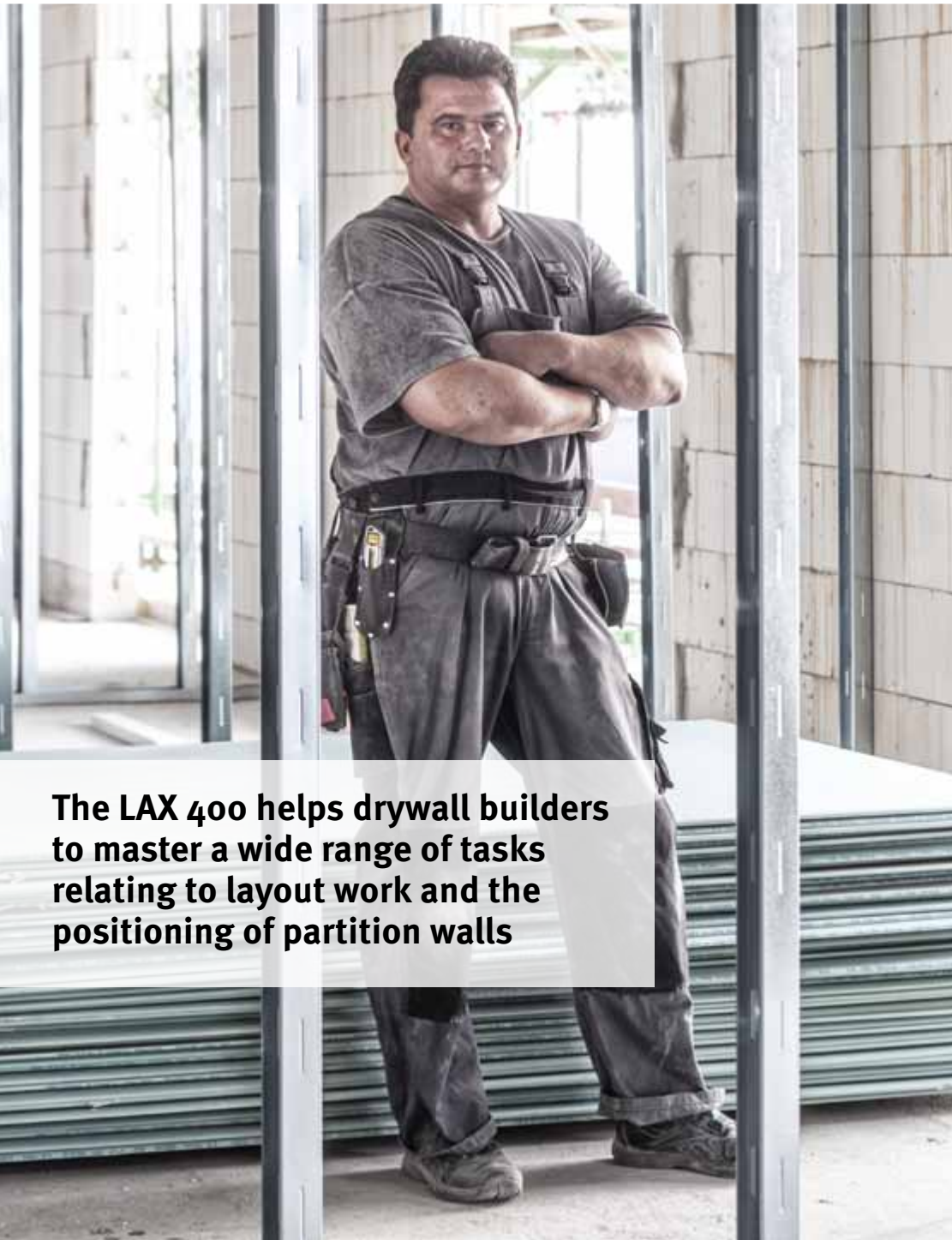
- A 360° horizontal line for marking, alignment and levelling around the entire room.
- **MANUAL ALIGNMENT:** Two vertical lines form a 90° angle. The lines are finely adjusted using the knob on the housing. The laser lines can be pivoted to a target position without losing the position of the plumb-line dot. Ideal for accurately positioning partition walls with U-profiles.
- Vertical beam directed downwards – clearly visible through the adjustable feet. Above, the two vertical lines intersect precisely over the plumb-line dot.
- Ready for use straight away – quick self-levelling function thanks to pendulum technology designed to meet the requirements of construction sites.
- Ideal for working directly on the laser lines. For transferring the layout from the floor to the ceiling. For quick and accurate plumb bobbing.
- Long battery life – possible through turning the laser lines off and on separately.
- Very bright, narrow and clean laser lines. Measuring distance of visible line = 20 m.
- Versatile use: 1. Use directly on the floor – or against U-profiles. 2. Attached to a tripod ($\frac{5}{8}$ " thread). 3. Fastened to metallic objects with rare-earth magnets and v-groove or attached to the wall bracket. 4. Secured through two metal eyes using a strap.
- Protection class IP 54 (protection against dust deposits on the inside. Protection against splash water from all directions).
- Designed for use on construction sites:
 1. Stable aluminium housing cover to protect the horizontal laser optics.
 2. Park position to protect the vertical laser optics against dust and scratches thanks to rotation in the U-shaped housing.
 3. Pendulum locking mechanism protects the laser during transport.
 4. Shock-absorbent STABILA soft grip casing.
- Thanks to the pulsed laser lines and in conjunction with the optional REC 210 Line receiver, the LAX 400 can also be used over long distances – both indoors and outdoors.



1) 360° horizontal line, 2) vertical lines at a 90° angle, plumb-line function.



1) Park position. 2) Housing can pivot 360° inside the U-shaped housing. 3) The height of the laser can be adjusted thanks to the extendable column. The two adjustable feet enables the laser to be positioned on elements such as U-profiles.



The LAX 400 helps drywall builders to master a wide range of tasks relating to layout work and the positioning of partition walls



▲ U-profiles can be placed directly on the visible laser line and secured in a single operation. The two adjustable feet enables the laser to be positioned on elements such as U-profiles.

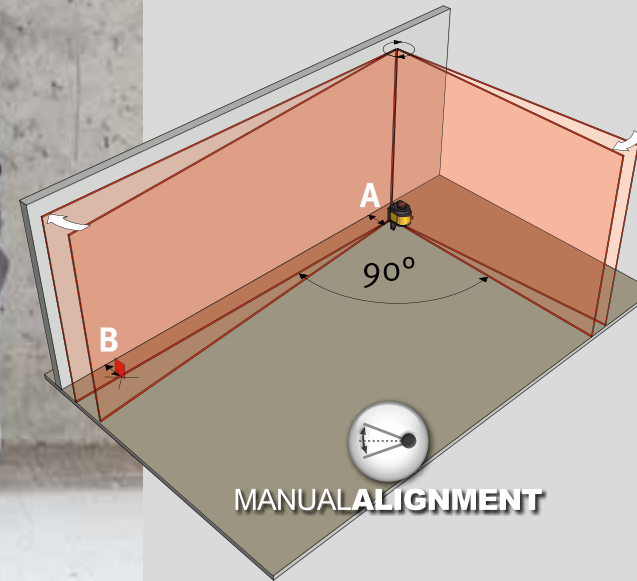
◀ The LAX 400 is attached to the profile rail using the wall bracket. Ideal for suspended ceilings. The 360° horizontal line covers the entire room.



MANUAL ALIGNMENT for accurate pivoting of the right angle



The two vertical laser lines of the LAX 400 allow right-angled rooms to be created.



1. Measure the marking points A and B parallel to the wall.
2. Position the laser on marking point A and the target plate on marking point B.
3. Roughly align the laser.
4. Use the knob on the housing to manually pivot the laser to the marking, creating the right angle.

MANUAL ALIGNMENT



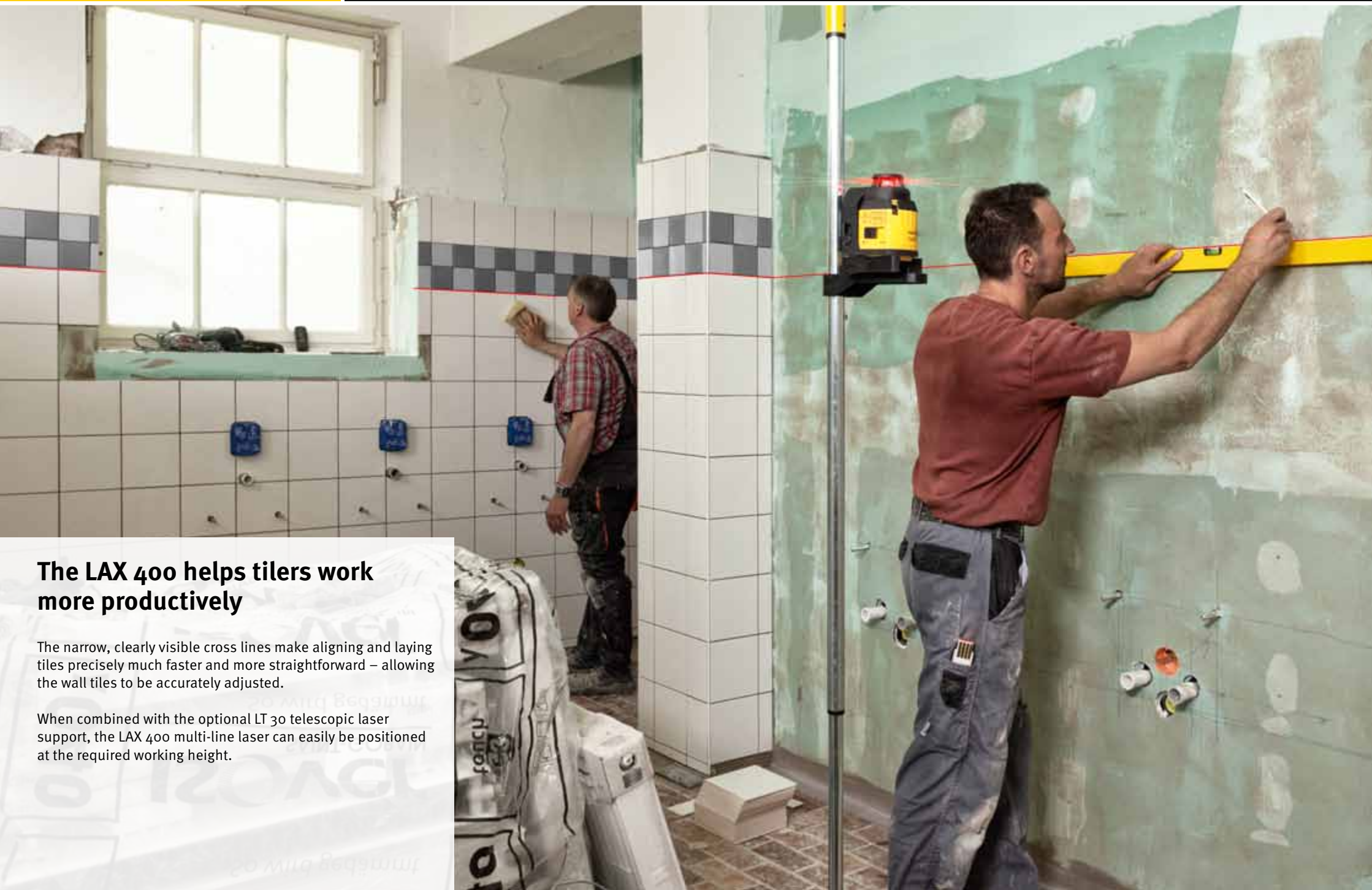
LAX 400 multi-line laser:
Use the knob on the housing to manually pivot the laser to the marking or U-profile, creating the right angle.

Extend the working area using the optional REC 210 Line receiver



Do you need to carry out levelling work over longer distances or in bright indoor lighting conditions? The LAX 400 multi-line laser combined with the REC 210 Line receiver allows you to do this.





The LAX 400 helps tilers work more productively

The narrow, clearly visible cross lines make aligning and laying tiles precisely much faster and more straightforward – allowing the wall tiles to be accurately adjusted.

When combined with the optional LT 30 telescopic laser support, the LAX 400 multi-line laser can easily be positioned at the required working height.



The LAX 400 helps electricians transfer heights quickly and without any hassle

The LAX 400 enables sockets, switches and cable ducts to be aligned horizontally and vertically with one another. The self-levelling function means that narrow, clearly visible laser lines can be worked on in just a few seconds.





The LAX 400 helps plumbers accurately transfer marking points



The cross lines allow pipe clips to be aligned horizontally and vertically with one another.

Heating pipes can easily be positioned by transferring marking points from the wall to under the ceiling.

The LAX 400 helps carpenters to transfer heights reliably



The long and clearly visible laser lines enable you to precisely align and assemble furniture and cabinets. Wall units can be positioned parallel to floor units. Horizontal drill holes can be accurately transferred thanks to the narrow laser line.

The LAX 400 will ensure you don't receive any complaints which means that you avoid expensive reworking. This accuracy pays off immediately and on a permanent basis.





LAX 400 multi-line laser

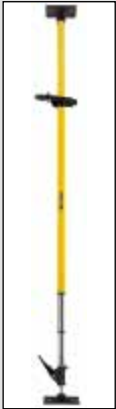
Comprising: LAX 400 multi-line laser, target plate, laser goggles, wall bracket, 4 x AA batteries, hard protective case.

Laser class	Output	Laser wavelength	Self-levelling range	Levelling accuracy	Line straightness	90° angle precision
2	< 1 mW	635 nm	approx. ± 4.0°	± 0.3 mm/m	± 0.2 mm/m	± 0.3 mm/m

Laser beam accuracy	Measuring distance of visible line	Battery life	Batteries included	Protection class	Art. No.	EAN
± 0.3 mm/m	20 m*	10 hours	4 x AA 1.5 V	IP 54	18702/6	4005069187026

* Indoors under typical operating conditions.

Optional accessories:



LT 30 telescopic laser support – always at the right height
Variable positioning of lasers at the required working height.
Height: 20 – 365 cm,
weight: 2.7 kg
(Art. No. 18238/0).



Construction tripod with air-cushioned lifting column, spread stopper and rapid locking mechanism. Tripod legs with spikes and rotatable hard rubber shoes, 3/8" threaded screw.

BST-K-M – ideal for transferring the datum line
Height: approx. 69 – 170 cm
(Art. No. 18195/6).

BST-K-XL – ideal for suspended ceilings
Height: approx. 118 – 300 cm
(Art. No. 18560/2).



REC 210 Line receiver – for working over long distances
Water and dust protected in accordance with IP 67. Display on front and rear
(Art. No. 16851/3).



See all products on www.stabila.de



www.youtube.com/StabilaTools



www.facebook.com/STABILA.international



IEC 60825-1: 2007

Our technical hotline will support you with all questions relating to product selection and use: Phone +49 (0)6346-309-0. You can of course also e-mail us at info@stabila.de.

STABILA Messgeräte, Gustav Ullrich GmbH, Landauer Str. 45, 76855 Annweiler, Germany
☎ +49 (0)6346-309-0, 📠 +49 (0)6346-309-480, ✉ info@stabila.de